

MINIMUS COMPOST TOILET

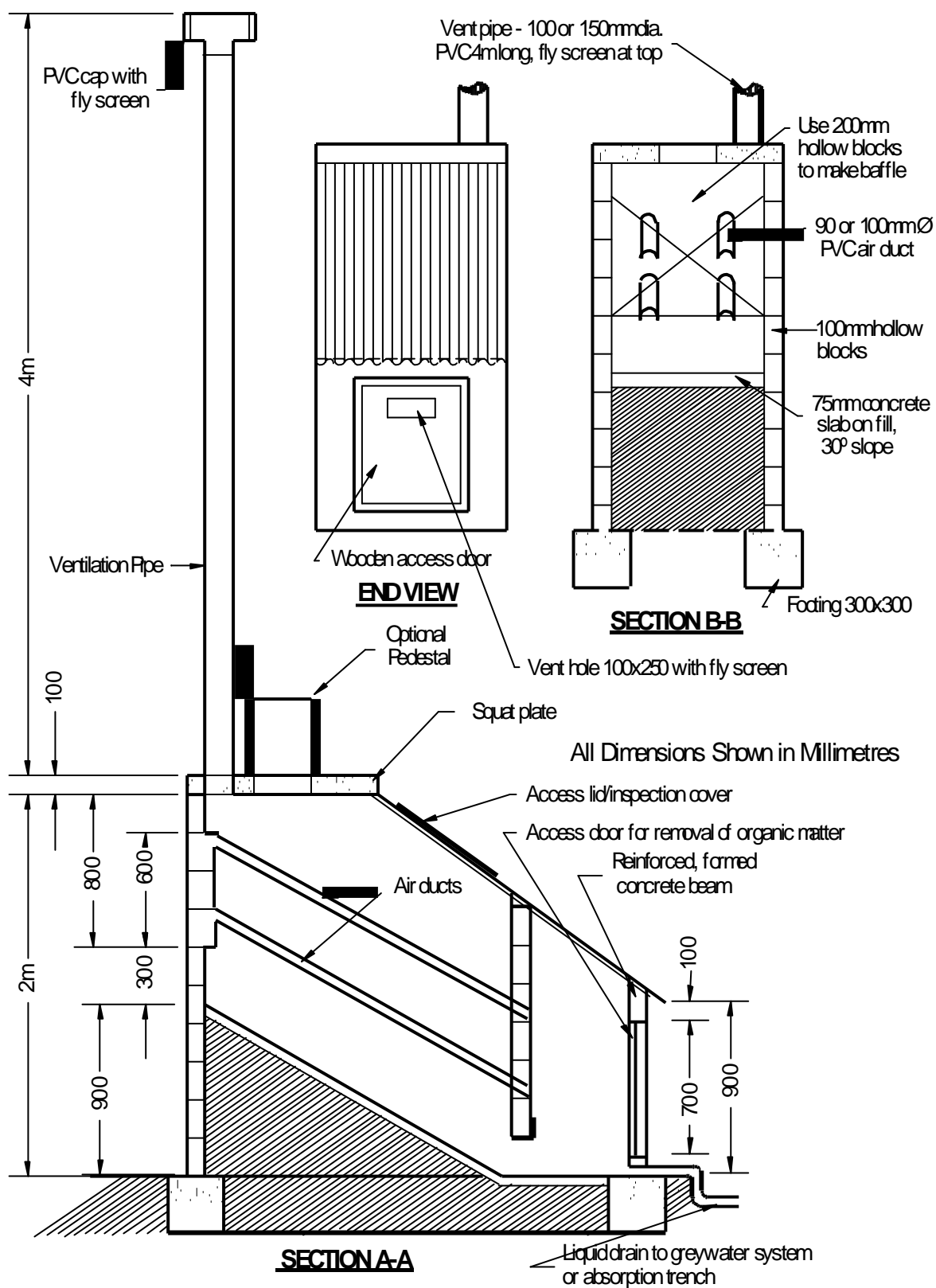
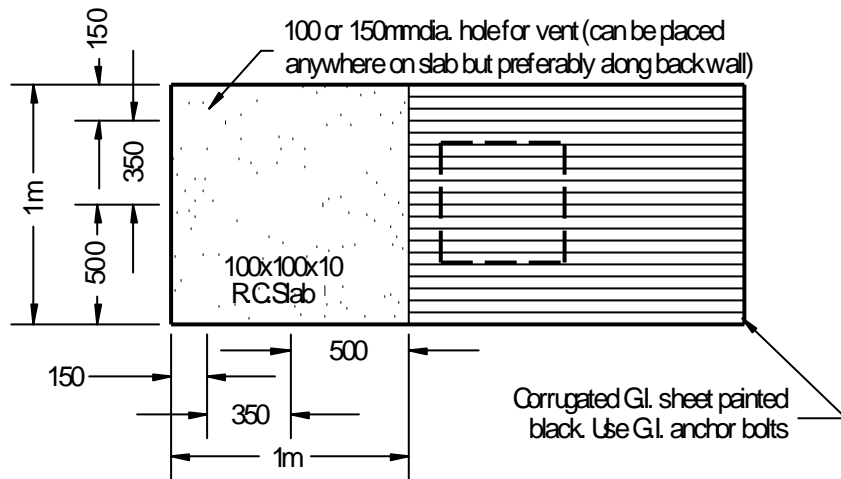


FIG. 1 Civus Plans Adapted From Rybczynski's Variation on the Civus Multrum (Page 158 of "Goodbye to the Flush Toilet")

FIG. 1a

PLAN VIEW "A"



PLAN VIEW "B"

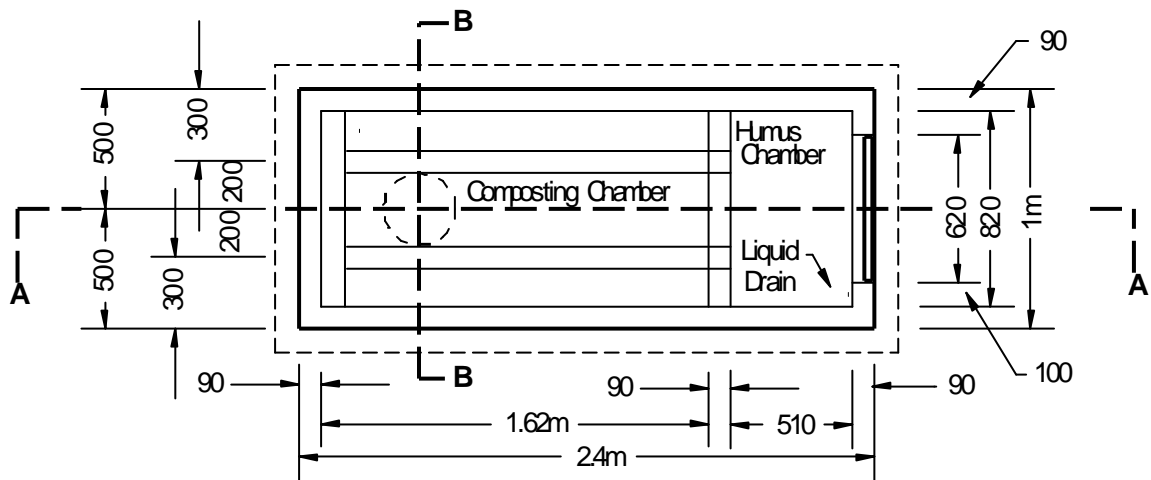


FIG. 2 STANDARD BLOCK ARRANGEMENT

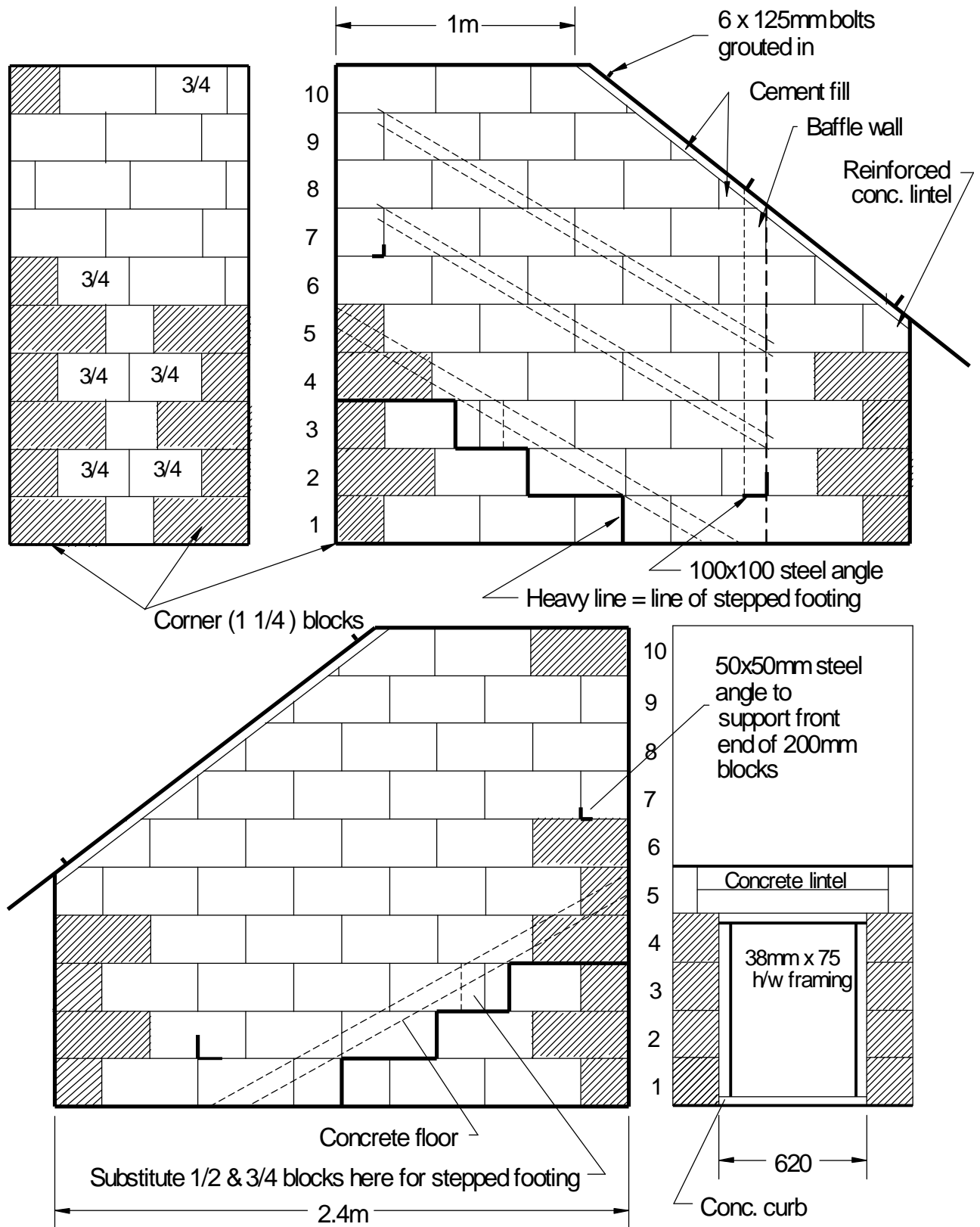


FIG. 3 COURSE 1 & 3, NARROW CHAMBER

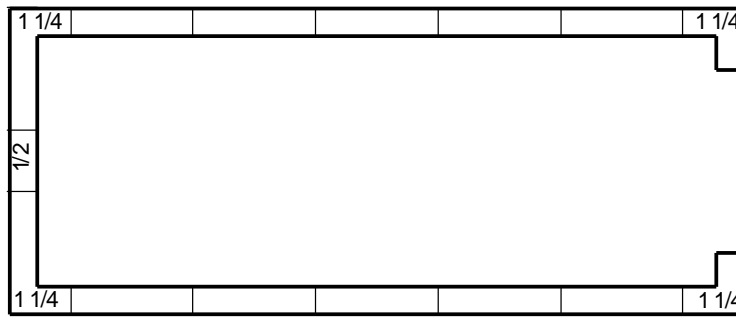


FIG. 4 COURSES 2 & 4, NARROW CHAMBER

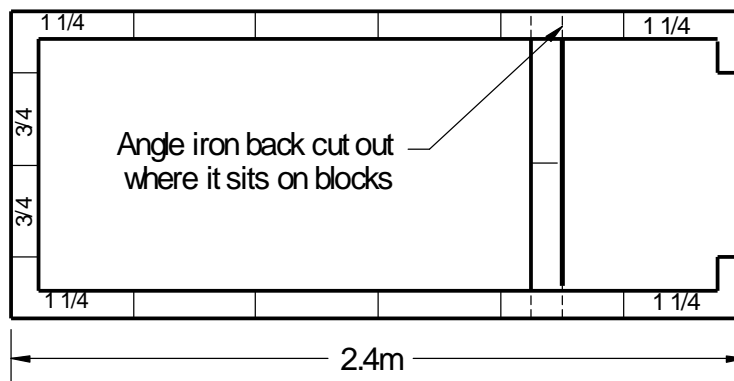


FIG. 5 COURSE 5 FOR NARROW CHAMBER (2 1/2 blocks wide)

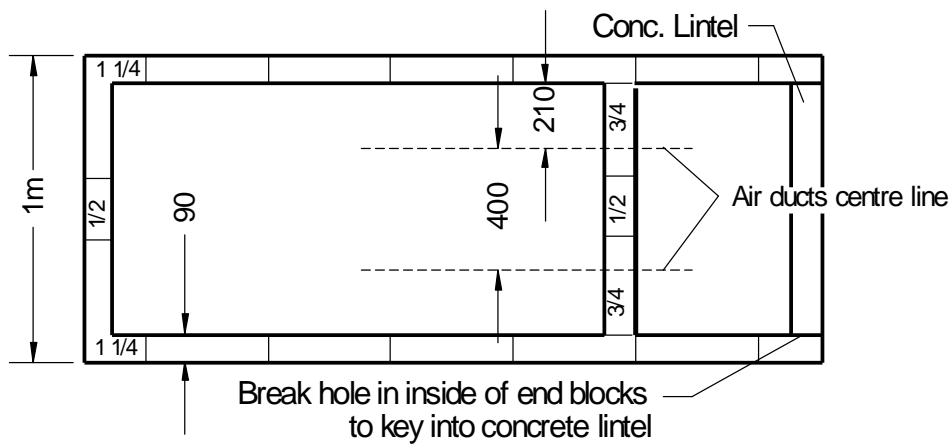


FIG. 6 BLOCK ARRANGEMENT FOR COURSE 7, NARROW CHAMBER

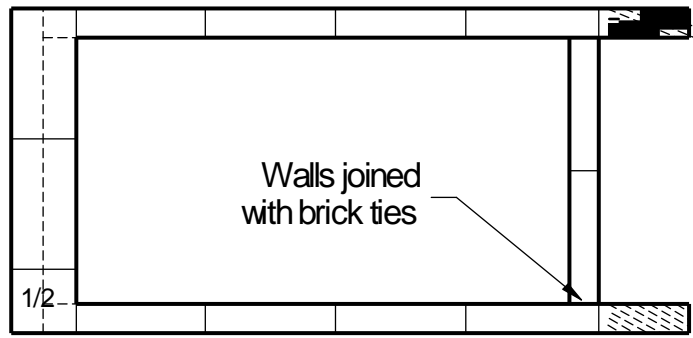


FIG. 7 COURSE 1 FOR WIDE CHAMBER

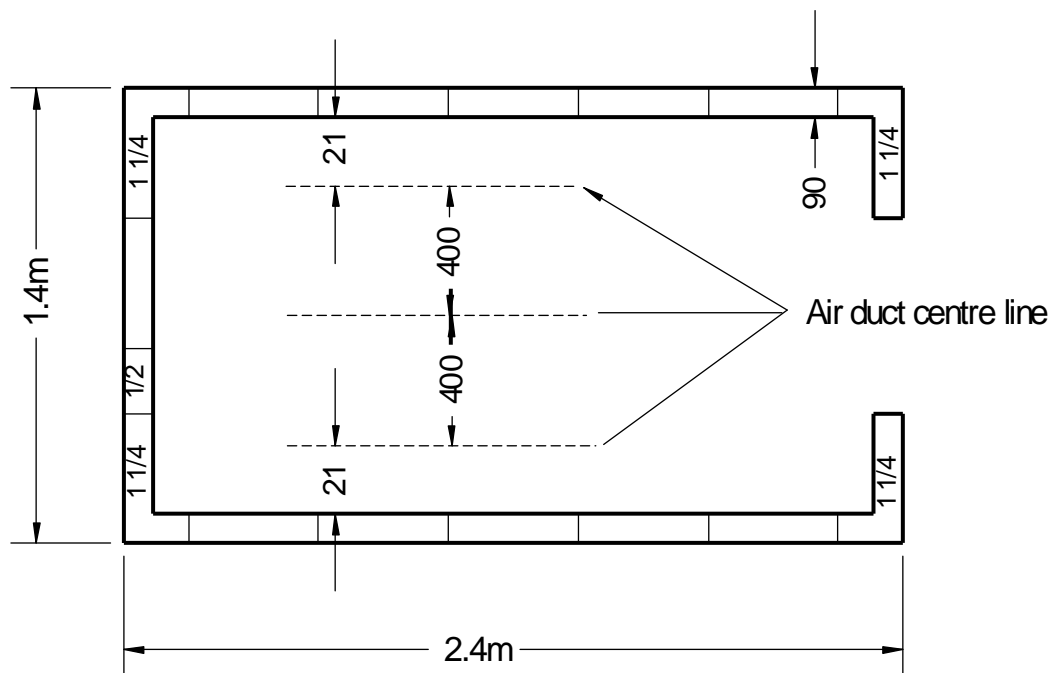


FIG.8 BLOCK ARRANGEMENT FOR STEPPED TOP

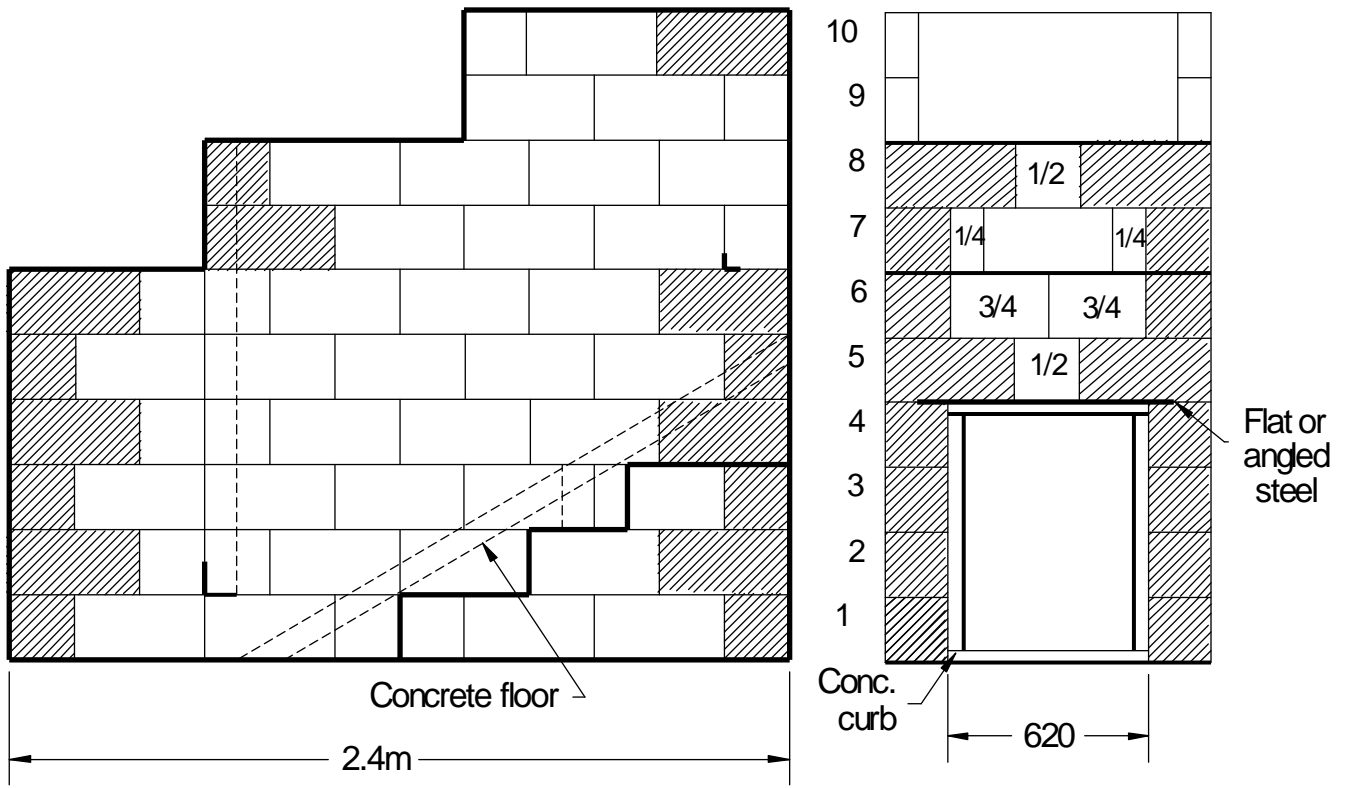
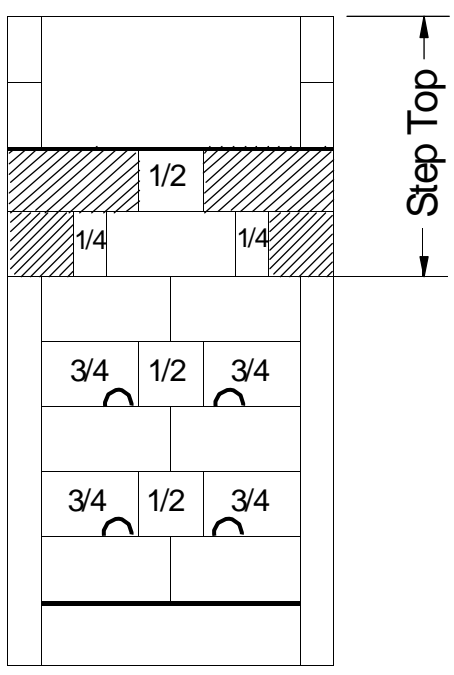


FIG. 9 BLOCK ARRANGEMENT FOR BAFFLES

Standard Chamber



Wide Chamber

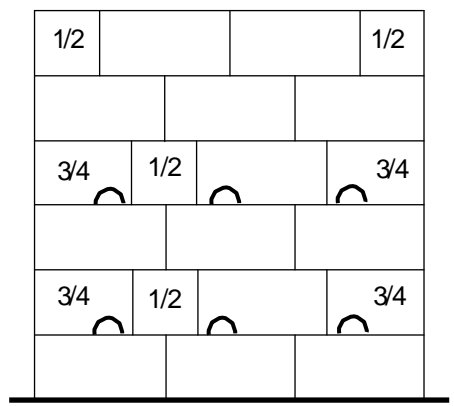
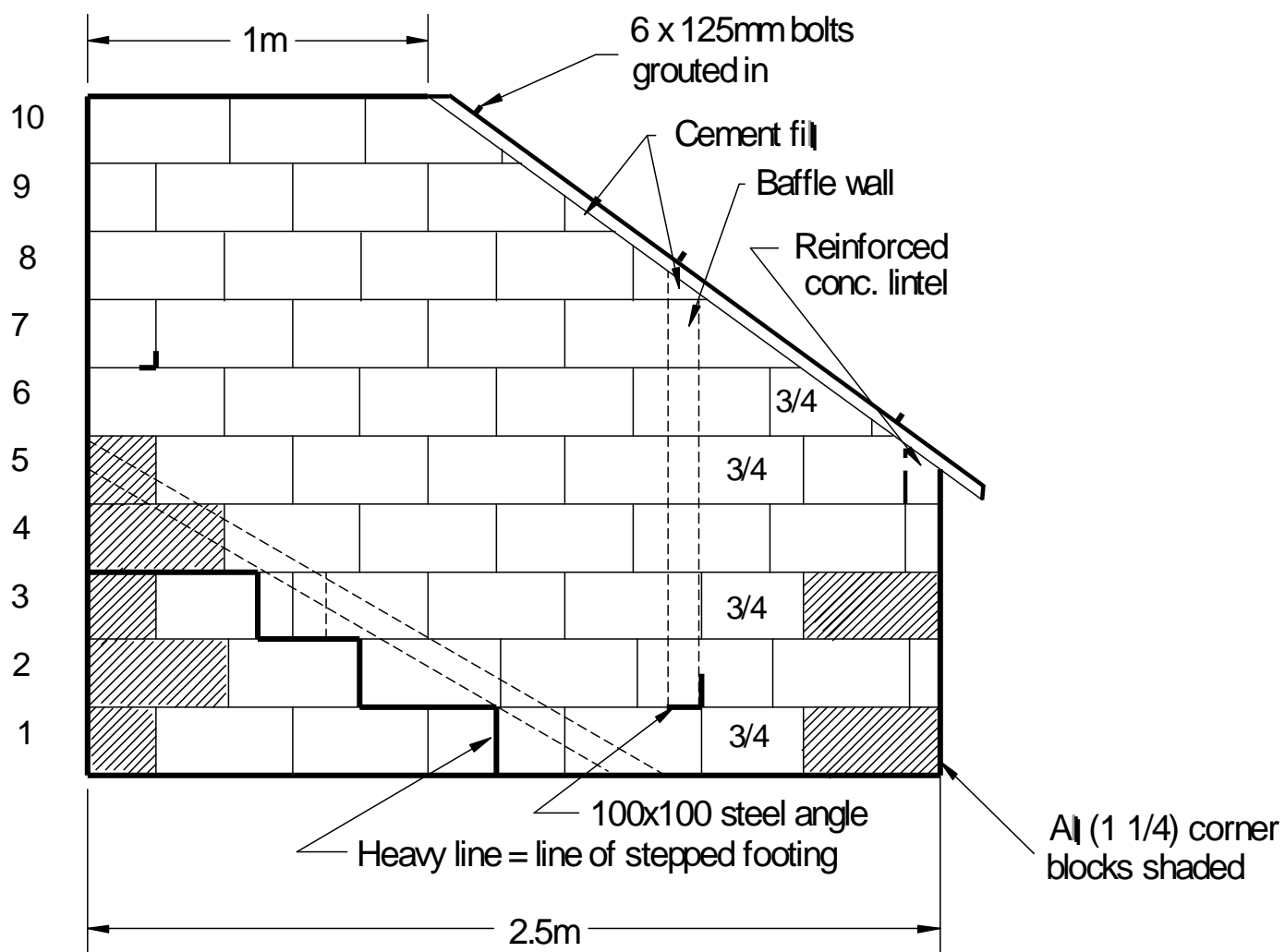


FIG.10 OLD BLOCK ARRANGEMENT
(use when you don't want to cut front corner blocks)



For rear wall layout see FIG.2